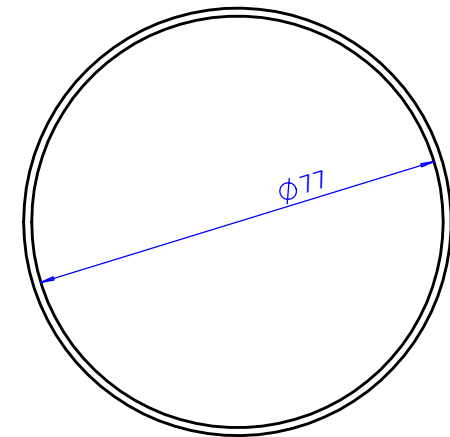
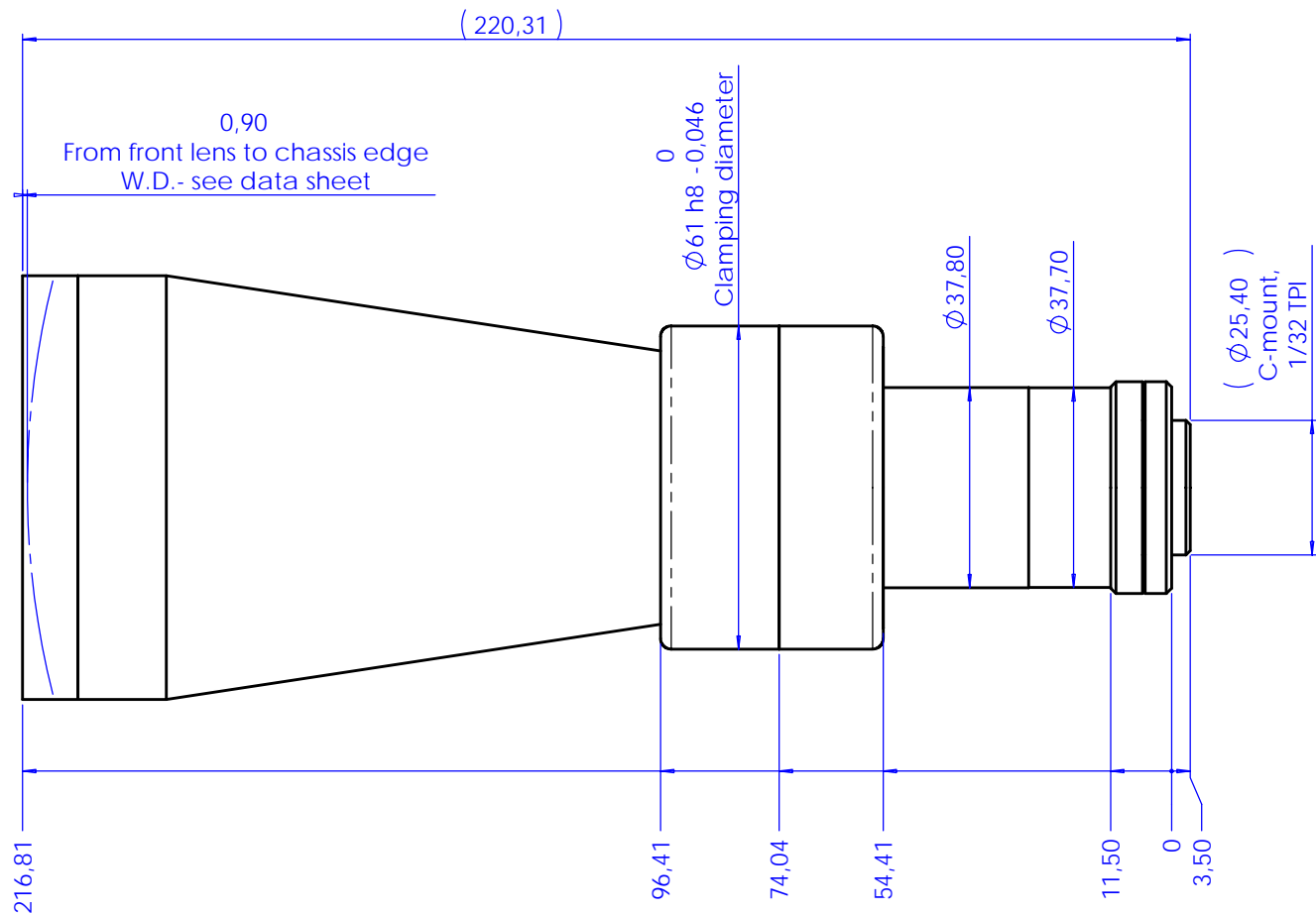


Rev No.	Description	Date	Name
A	First light	09/05/08	A.Vismara



Material	N.A.		Mass	0.94 kg	Scale	1:1			
Surface treatment	N.A.		Project-Prod.Item/Instrument Telecentric lens UV 23 56						
Geometrical tolerance (ISO 2768-2)		Class	K	Undimensioned bevels	1x45°	Description Assembly			
Linear tolerance (ISO 2768-2)		Class	m	Undimensioned radii	R 0.5				
0.5	>3-	>6-	>30-	>120	>400-	>1000	>2000	Drawing No. 02623-0-A	Sheet 1/1
+3	6	30	120	+400	1000	+2000	+4000		
±0.1	±0.1	±0.2	±0.3	±0.5	±0.8	±1.2	±2	Reproduction forbidden without specific authorization	
 www.opto-engineering.com		Date	Name	Drawing No.		Sheet			
		Designed	09/05/08	A.Vismara	02623-0-A				
		Draw	09/05/08	A.Vismara					
Checked	X	C. Sedazzari	Reproduction forbidden without specific authorization						